

Aluminum accessory Specification

**AS-NMS0612A-20**  
**AS-NMS0612A-1000**  
**AS-NMS0612A1-1000**



## 【Features】

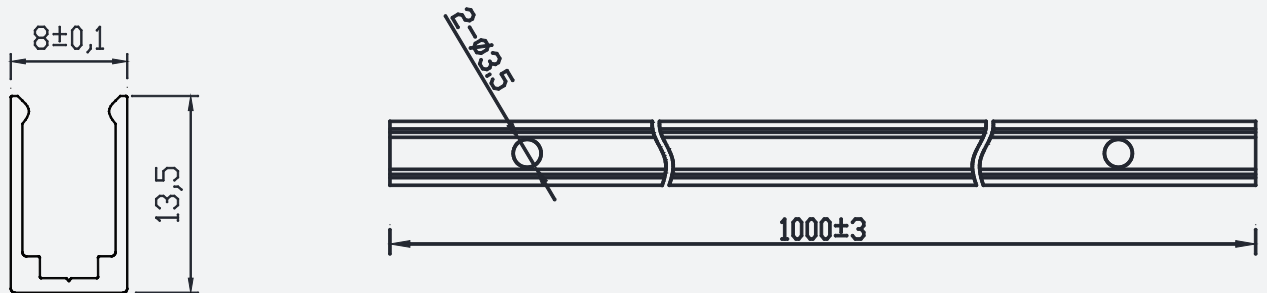
- Material: aluminum;
- Operating environment: indoor and outdoor;
- Installation: screw flat mounting;
- Cross-sectional size: AS-NMS0612A: W8mm\*H13.5mm, AS-NMS0612A1: W8mm\*H18.4mm;
- Warranty: 6 years.

## 【Mechanical Parameter】

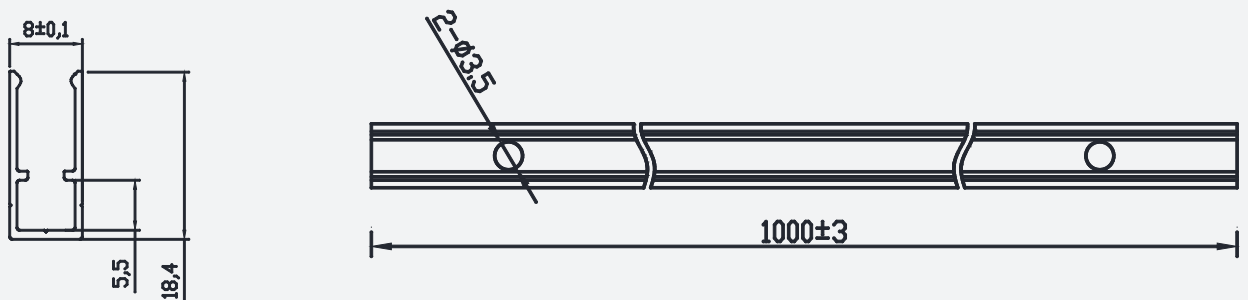
AS-NMS0612A-20






AS-NMS0612A-1000



AS-NMS0612A1-1000



## 【Specification information】

Describe	Accessories Picture	Order model	Quantity/ case (PCS)	Net weight (kg)	Per box net weight (kg)	Gross weight (kg)	Packages (mm)	Range of applications
Flat mounting aluminum groove		AS-NMS0612A -1000	120	0.082	9.84	11	1180*125*115	suit to:NMS0612/NJS0612/ NJS0612T
Flat mounting of clip		AS-NMS0612A -25	800	0.0017	1.68	1.83	250*250*150	suit to:NMS0612/NJS0612/ NJS0612T
Aluminum groove reserved outlet position		AS-NMS0612A1-1000	100	0.01015	10.15	11.2	1180*125*115	suit to:NMS0612/NJS0612/ NJS0612T

## 【Precautions】

- Do not use any acid or alkaline adhesive to fix products(including not limited to glass cement,etc).
- Please use professional cutting tools when cutting.